

Sliding Shutters

The range of Eco Line and Alu Line sliding shutters from Contrasol offer specifiers a contemporary and practical solution to protection against solar gain and glare.

Contrasol provide various fin sections and finishes in both aluminium and timber, which can dramatically enhance both commercial and domestic design aesthetics

Further available options include in-frame movable fins and motorised frames for more specialised applications.

T : 08456 589767

F : 08456 122031

W: www.contrasol.com

E: Sales@contrasol.com



Eco Line

Contrasol can offer a timber fin in-fill to the sliding shutters as an eco friendly solution to improving both visual and thermal interior comforts.

The Eco-Fin is available in a selection of profiles and species that provides a range of options to suit specifier requirements. This system can be installed in a multitude of different arrangements allowing for a diverse range of applications.

The timber fin is available in many different species including:

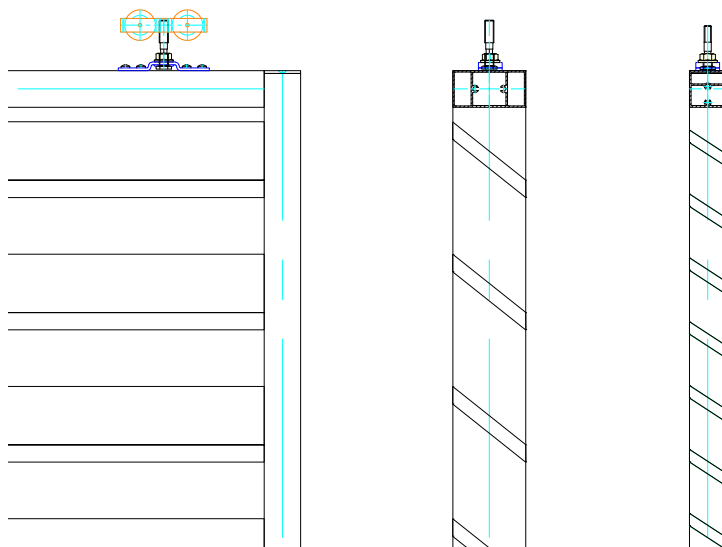
Western Red Cedar
 Siberian Larch
 Therma Wood
 Oak
 Iroko
 Accoya

T : 08456 589767

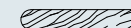
F : 08456 122031

W: www.contrasol.com

E: Sales@contrasol.com



Profile Examples



Alu Line

Contrasol can offer an aluminium fin in-fill to the sliding shutter as a contemporary solution to improving both visual and thermal interior comforts.

The Alu fin is available in a selection of profiles providing a wide range of options to suit the specifier's requirements.

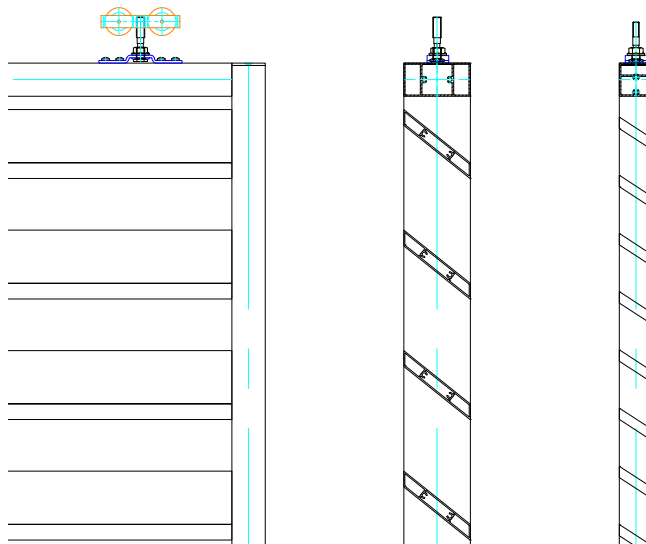
Like the Eco line range this system can be installed in a multitude of different arrangements allowing for a diverse range of applications.

T : 08456 589767

F : 08456 122031

W: www.contrasol.com

E: Sales@contrasol.com



Profile Examples



About Us

Being a design driven company with strong project management, Contrasol can offer an "all in one" package, from concept to completion.

A dynamic, honest, pro-active, client driven approach within each area on every project is foremost to the Contrasol work ethic. These core values help in exceeding customer satisfaction every time.

Contrasol is breaking new ground in the UK market, and are constantly looking for opportunities to optimise sun control solutions, in both functionality and appearance.

T : 08456 589767

F : 08456 122031

W: www.contrasol.com

E: Sales@contrasol.com

from concept to completion

